



**ASECO**

Connection  
of the power



Industrial Plug and Sockets

**2019/20**  
MADE IN INDIA

# ASECO

Connection  
of the power

## Company Profile

M/S Satya Ornapack was incorporated in the Year 2006 as a Proprietary concern. The Proprietor, Mr. Sunil Goel is in the business since,1987 carrying out manufacturing activities. having a vast experience of mfg. of auto electrical parts and Plastic packaging boxes. we have installed 5 PLC controlled servo stabilizer Injection moulding machines of various capacities to cater to our clients. We have a TEAM of experienced technical persons for our manufacturing activities. We are vendor and sub vendor of some big Watch manufacturerers in INDIA. Taking the advantage of our business experience ,we have started manufacturing Industrial Plugs and Sockets conforming to IP44 and IP67 standards. We have got very Good quality Moulds and we use virgin Plastic (NYLON-6) and Brass raw material to ensure THE Best quality of our products.

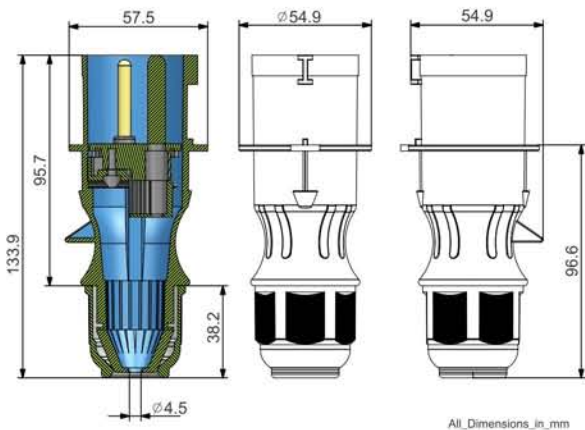


## Certifications

ISO  
9001:2015



## Plug - with screw terminals one piece housing



### PRODUCT DESCRIPTION :

Order number	AP1603
Product Group	Industrial Plug with cable gland
Amperage	16A
Poles	3p (2P+E)
Earth 'Clock' Position	6 h
Voltage	200 up to 250V
Frequency	50 and 60Hz
Protection	IP44
Color code	blue
Connection Design	screw terminal
Max. conductor	2.5 mm <sup>2</sup>

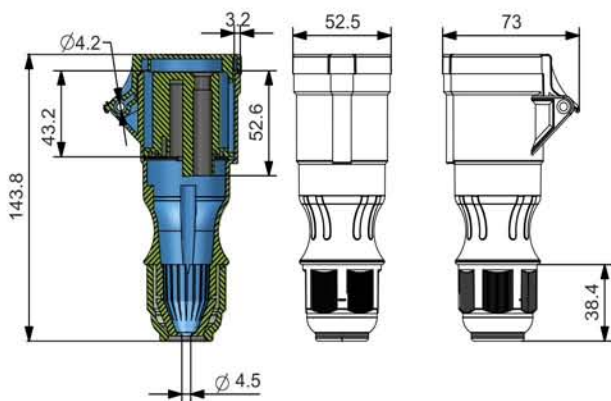
### Further Information

Additional technical information Multi-Grip cable gland with gasket and integrated strain relief one piece housing For cable diameter from 8 up to max. 18 mm

### Material

Material of Enclosure	Polyamide
Contact / Contact Carrier	contact carrier made of polyamide, the contacts are brass
Weight/pcs	0.120 kg
Packaging unit	10 pcs

## Connector - with screw terminals one piece housing



### PRODUCT DESCRIPTION :

Order number	AS1630
Product Group	Industrial connector with cable gland
Amperage	16A
Poles	3p (2P+E)
Earth 'Clock' Position	6 h
Voltage	200 up to 250V
Frequency	50 and 60Hz
Protection	IP44
Color code	blue
Connection Design	screw terminal
Max. conductor	2.5 mm <sup>2</sup>

### Further Information

Additional technical information Multi-Grip cable gland with gasket and integrated strain relief one piece housing For cable diameter from 8 up to max. 18 mm

### Material

Material of Enclosure	Polyamide
Contact / Contact Carrier	contact carrier made of polyamide, the contacts are brass
Weight/pcs	0.140 kg
Packaging unit	10 pcs

All\_Dimensions\_in\_mm



## Panel mounting socket outlet angled - flange 85 x 85 fixing centers 70 x 70



### PRODUCT DESCRIPTION :

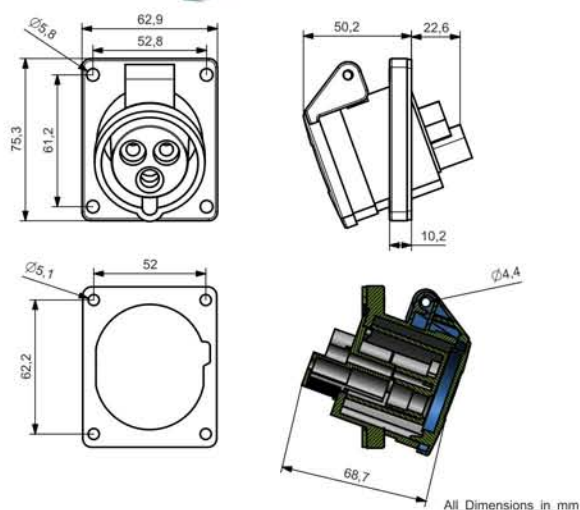
Order number	ASP163
Product Group	Industrial Panel mounting socket angled
Amperage	16A
Poles	3p (2P+E)
Earth 'Clock' Position	6 h
Voltage	200 up to 250V
Frequency	50 and 60Hz
Protection	IP44
Color code	blue
Connection Design	screw terminal
Max. conductor	4.0 mm <sup>2</sup>

### Further Information

Additional technical information The inclination is 20

### Material

Material of Enclosure	Polyamide
Contact / Contact Carrier	contact carrier made of polyamide, the contacts are brass
Weight/pcs	0.115 kg
Packaging unit	10 pcs



All\_Dimensions\_in\_mm

## Plug - with screwless terminals

### PRODUCT DESCRIPTION :

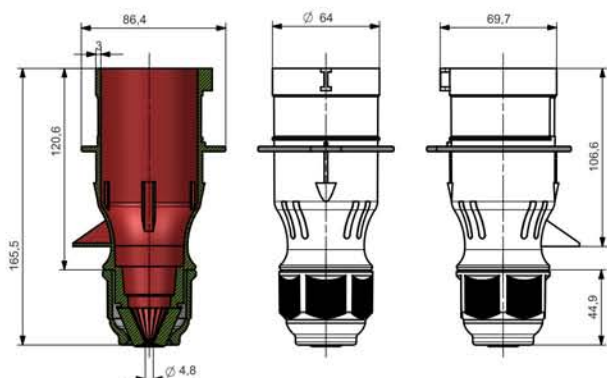
Order number	AP3205
Product Group	Industrial Plug with cable gland
Amperage	32A
Poles	5p (3P+N+E)
Earth 'Clock' Position	6 h
Voltage	200/346 up to 240/415V
Frequency	50 and 60Hz
Protection	IP44
Color code	red
Connection Design	screw terminal
Max. conductor	6.0 mm <sup>2</sup>

### Further Information

Additional technical information Screwless housing connection with snap fastening  
Multi-Grip cable gland with gasket and integrated strain relief  
For cable diameter from 11 up to max. 23,5 mm

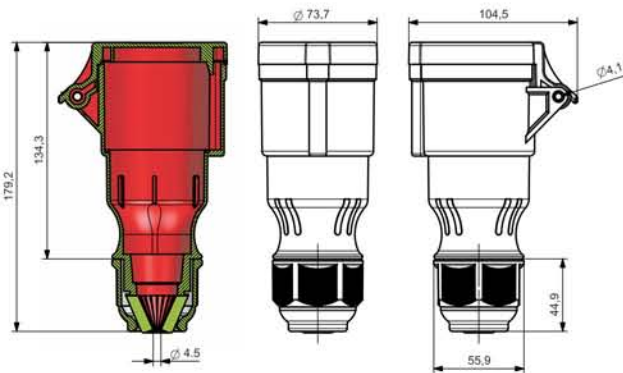
### Material

Material of Enclosure	Polyamide
Contact / Contact Carrier	contact carrier made of polyamide, the contacts are brass
Weight/pcs	0.265 kg
Packaging unit	10 pcs



All\_Dimensions\_in\_mm

## Connector - with screw terminals one piece housing



### PRODUCT DESCRIPTION :

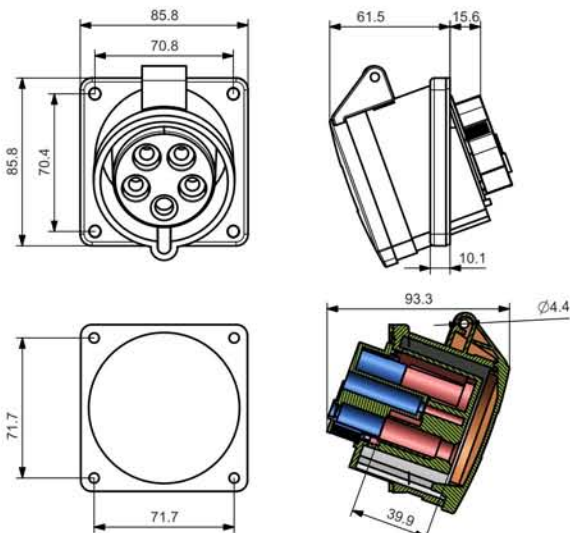
Order number	AS3250
Product Group	Industrial connector with cable gland
Amperage	32A
Poles	5p (3P+N+E)
Earth 'Clock' Position	6 h
Voltage	200/346 up to 240/415V
Frequency	50 and 60Hz
Protection	IP44
Color code	red
Connection Design	screw terminal
Max. conductor	6.0 mm <sup>2</sup>

### Further Information

Additional technical information Multi-Grip cable gland with gasket and integrated strain relief one piece housing For cable diameter from 11 up to max. 23.5 mm

### Material

Material of Enclosure	Polyamide
Contact / Contact Carrier	contact carrier made of polyamide, the contacts are brass
Weight/pcs	0.260 kg
Packaging unit	10 pcs



All\_Dimensions\_in\_mm

## Panel mounting socket outlet angled - flange 85 x 85 fixing centers 70 x 70

### PRODUCT DESCRIPTION :

Order number	ASP325
Product Group	Industrial Panel mounting socket angled
Amperage	32A
Poles	5p (3P+N+E)
Earth 'Clock' Position	6 h
Voltage	200/346 up to 240/415V
Frequency	50 and 60Hz
Protection	IP44
Color code	red
Connection Design	screw terminals
Max. conductor	10.0 mm <sup>2</sup>

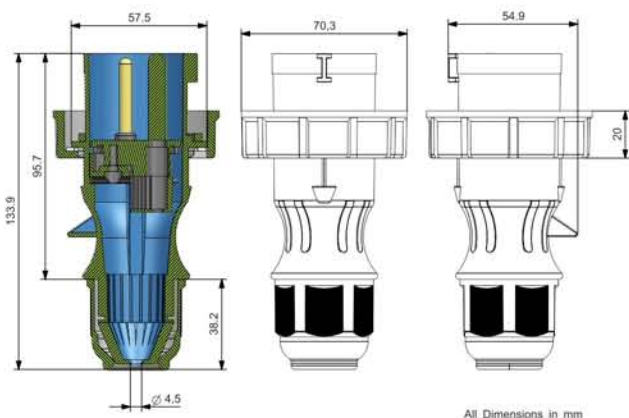
### Further Information

Additional technical information The inclination is 20

### Material

Material of Enclosure	Polyamide
Contact / Contact Carrier	contact carrier made of polyamide, the contacts are brass
Weight/pcs	0.209 kg
Packaging unit	10 pcs

## Plug - with screw terminals one piece housing



### PRODUCT DESCRIPTION :

Order number	AP163
Product Group	Industrial Plug with cable gland
Amperage	16A
Poles	3p (2P+E)
Earth 'Clock' Position	6 h
Voltage	200 up to 250V
Frequency	50 and 60Hz
Protection	IP67
Color code	blue
Connection Design	screw terminal
Max. conductor	2.5 mm <sup>2</sup>

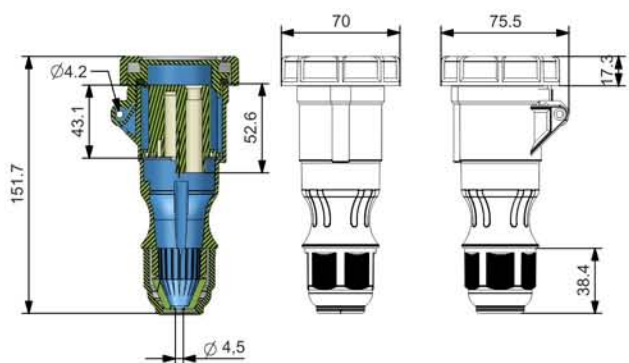
### Further Information

**Additional technical information** One piece housing Multi-Grip cable gland with gasket and integrated strain relief one piece housing For cable diameter from 8 up to max. 18 mm

### Material

**Material of Enclosure** Polyamide  
**Contact / Contact Carrier** contact carrier made of polyamide, the contacts are brass  
**Weight/pcs** 0.151 kg  
**Packaging unit** 10 pcs

## Connector - with screw terminals one piece housing



### PRODUCT DESCRIPTION :

Order number	AS1633
Product Group	Industrial connector with cable gland
Amperage	16A
Poles	3p (2P+E)
Earth 'Clock' Position	6 h
Voltage	200 up to 250V
Frequency	50 and 60Hz
Protection	IP67
Color code	blue
Connection Design	screw terminal
Max. conductor	2.5 mm <sup>2</sup>

### Further Information

**Additional technical information** One piece housing for cable diameter from 8 up to max. 18 mm Multi-Grip cable gland with gasket and integrated strain relief

### Material

**Material of Enclosure** Polyamide  
**Contact / Contact Carrier** contact carrier made of polyamide, the contacts are brass  
**Weight/pcs** 0.171 kg  
**Packaging unit** 10 pcs



## Panel mounting socket outlet angled - flange 85 x 85 fixing centers 70 x 70



### PRODUCT DESCRIPTION :

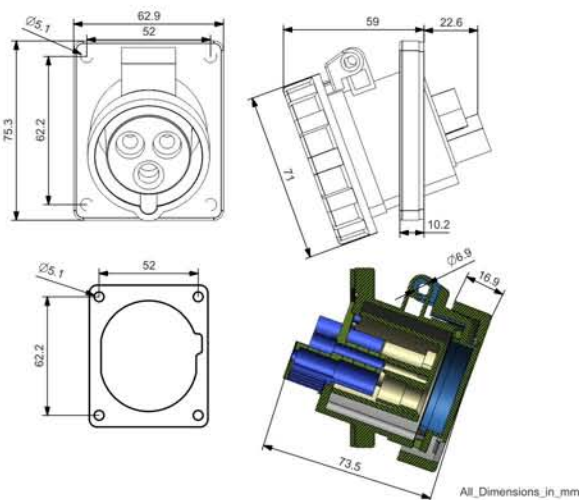
Order number	ASP1603
Product Group	Industrial Panel mounting socket angled
Amperage	16A
Poles	3p (2P+E)
Earth 'Clock' Position	6 h
Voltage	200 up to 250V
Frequency	50 and 60Hz
Protection	IP67
Color code	blue
Connection	screw terminals
Design	
Max. conductor	4.0 mm <sup>2</sup>

### Further Information

Additional technical information The inclination is 20

### Material

Material of Enclosure	Polyamide
Contact / Contact Carrier	contact carrier made of polyamide, the contacts are brass
Weight/pcs	0.123 kg
Packaging unit	10 pcs



## Plug - with screw terminals one piece housing

### PRODUCT DESCRIPTION :

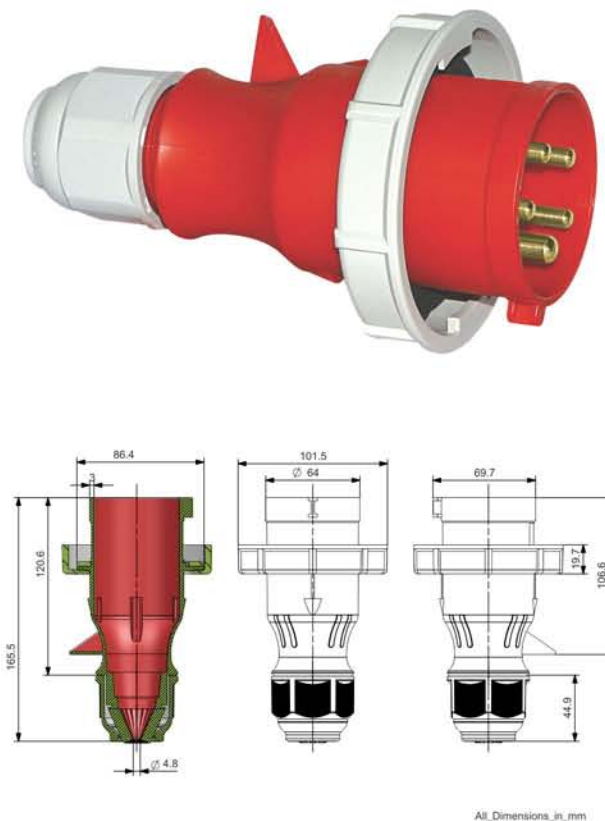
Order number	AP3205
Product Group	Industrial Plug with cable gland
Amperage	32A
Poles	5p (3P+N+E)
Earth 'Clock' Position	6 h
Voltage	200/346 up to 240/415V
Frequency	50 and 60Hz
Protection	IP67
Color code	red
Connection	screw terminal
Design	
Max. conductor	6.0 mm <sup>2</sup>

### Further Information

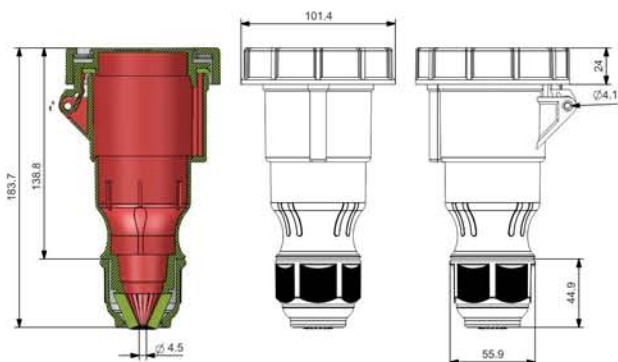
Additional technical information One piece housing Multi-Grip cable gland with gasket and integrated strain relief one piece housing For cable diameter from 11 up to max. 23.5 mm

### Material

Material of Enclosure	Polyamide
Contact / Contact Carrier	contact carrier made of polyamide, the contacts are brass
Weight/pcs	0.284 kg
Packaging unit	10 pcs



## Connector - with screw terminals one piece housing



### PRODUCT DESCRIPTION :

Order number	AS3255
Product Group	Industrial connector with cable gland
Amperage	32A
Poles	5p (3P+N+E)
Earth 'Clock' Position	6 h
Voltage	200/346 up to 240/415V
Frequency	50 and 60Hz
Protection	IP67
Color code	red
Connection Design	screw terminal
Max. conductor	6.0 mm <sup>2</sup>

### Further Information

Additional technical information One piece housing for cable diameter from 11 up to max. 23.5 mm  
Multi-Grip cable gland with gasket and integrated strain relief

### Material

Material of Enclosure Polyamide  
Contact / Contact Carrier contact carrier made of polyamide, the contacts are brass  
Weight/pcs 0.359 kg  
Packaging unit 10 pcs



## Panel mounting socket outlet angled - flange 85 x 85 fixing centers 70 x 70

### PRODUCT DESCRIPTION :

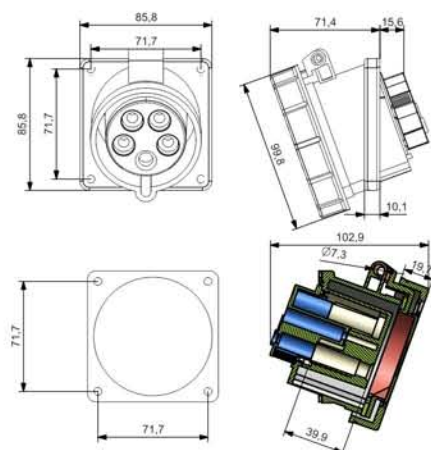
Order number	ASP3205
Product Group	Industrial Panel mounting socket angled
Amperage	32A
Poles	5p (3P+N+E)
Earth 'Clock' Position	6 h
Voltage	200/346 up to 240/415V
Frequency	50 and 60Hz
Protection	IP67
Color code	red
Connection Design	screw terminals
Max. conductor	10.0 mm <sup>2</sup>

### Further Information

Additional technical information The inclination is 20

### Material

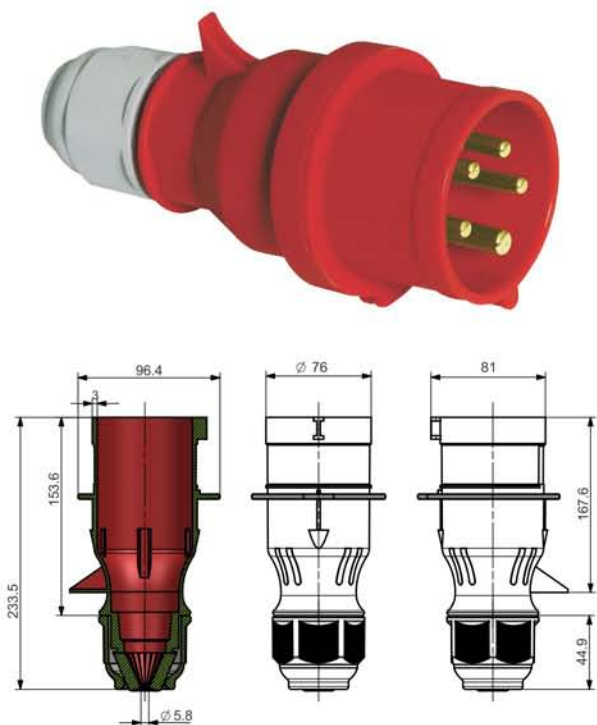
Material of Enclosure Polyamide  
Contact / Contact Carrier contact carrier made of polyamide, the contacts are brass  
Weight/pcs 0.310 kg  
Packaging unit 10 pcs



All Dimensions in mm



## Plug - with screw terminals



All\_Dimensions\_in\_mm

### PRODUCT DESCRIPTION :

Order number	AS6330
Product Group	Industrial Plug with cable gland
Amperage	63A
Poles	5p (3P+N+E)
Earth 'Clock' Position	6 h
Voltage	200/346 up to 240/415V
Frequency	50 and 60Hz
Protection	IP44
Color code	red
Connection Design	screw terminal
Max. conductor	16.0 mm <sup>2</sup>

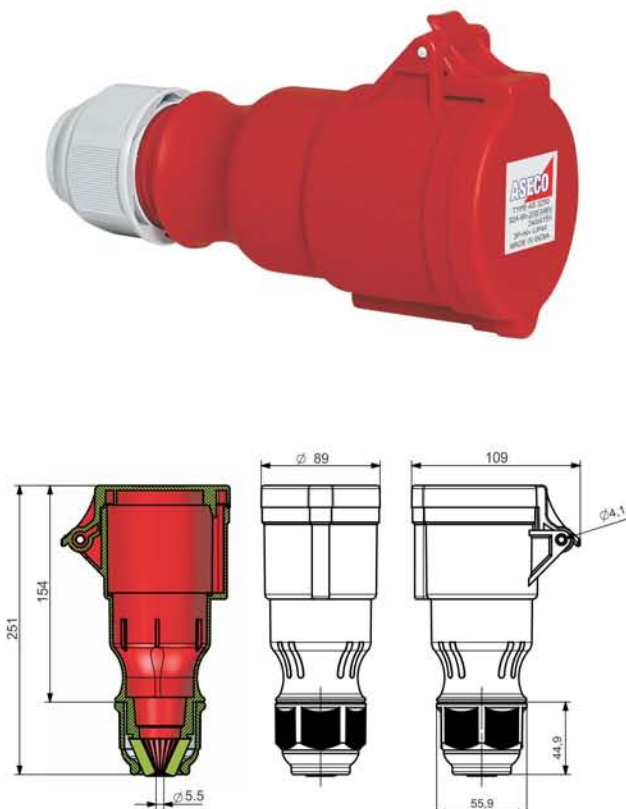
### Further Information

**Additional technical information** Screwless housing connection with snap fastening  
Multi-Grip cable gland with gasket and integrated strain relief  
For cable diameter from 16 up to max. 35 mm

### Material

**Material of Enclosure** Polyamide  
**Contact / Contact Carrier** contact carrier made of polyamide, the contacts are brass  
**Weight/pcs** 0.700 kg  
**Packaging unit** 5 pcs

## Connector - with screw terminals one piece housing



### PRODUCT DESCRIPTION :

Order number	AS6350
Product Group	Industrial connector with cable gland
Amperage	63A
Poles	5p (3P+N+E)
Earth 'Clock' Position	6 h
Voltage	200/346 up to 240/415V
Frequency	50 and 60Hz
Protection	IP44
Color code	red
Connection Design	screw terminal
Max. conductor	16.0 mm <sup>2</sup>

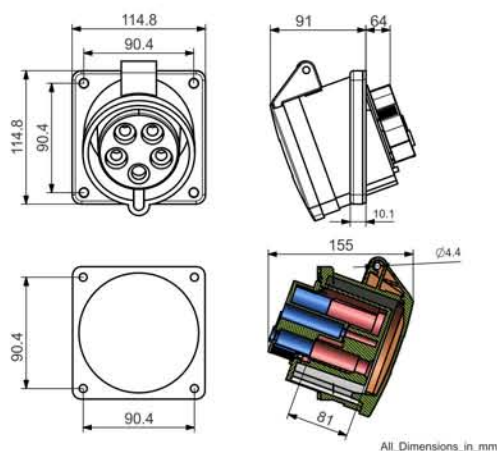
### Further Information

**Additional technical information** Multi-Grip cable gland with gasket and integrated strain relief  
one piece housing For cable diameter from 16 up to max. 35 mm

### Material

**Material of Enclosure** Polyamide  
**Contact / Contact Carrier** contact carrier made of polyamide, the contacts are brass  
**Weight/pcs** 0.720 kg  
**Packaging unit** 5 pcs

## Panel mounting socket outlet angled - flange 114 x 114 fixing centers 90 x 90



### PRODUCT DESCRIPTION :

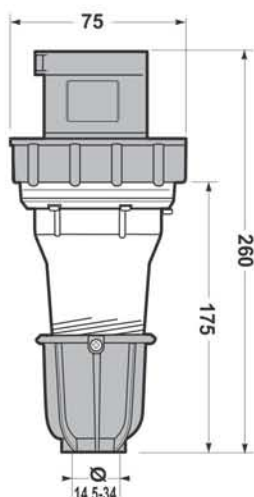
Order number	AS3240
Product Group	Industrial Panel mounting socket angled
Amperage	63A
Poles	5p (3P+N+E)
Earth 'Clock' Position	6 h
Voltage	200/346 up to 240/415V
Frequency	50 and 60Hz
Protection	IP44
Color code	red
Connection Design	screw terminals
Max. conductor	10.0 mm <sup>2</sup>

### Further Information

Additional technical information The inclination is 20

### Material

Material of Enclosure	Polyamide
Contact / Contact Carrier	contact carrier made of polyamide, the contacts are brass
Weight/pcs	0.400 kg
Packaging unit	10 pcs



## Plug - with screw terminals one piece housing

### PRODUCT DESCRIPTION :

Order number	AS6340
Product Group	Industrial Plug with cable gland
Amperage	63A
Poles	5p (3P+N+E)
Earth 'Clock' Position	6 h
Voltage	200/346 up to 240/415V
Frequency	50 and 60Hz
Protection	IP67
Color code	red / grey
Connection Design	screw terminal
Max. conductor	16.0 mm <sup>2</sup>

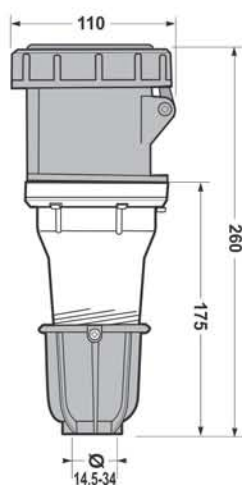
### Further Information

Additional technical information One piece housing Multi-Grip cable gland with gasket and integrated strain relief one piece housing For cable diameter from 11 up to max. 23.5 mm

### Material

Material of Enclosure	Polyamide
Contact / Contact Carrier	contact carrier made of polyamide, the contacts are brass
Weight/pcs	0.284 kg
Packaging unit	10 pcs

## Connector - with screw terminals one piece housing



### PRODUCT DESCRIPTION :

Order number	AS6350
Product Group	Industrial connector with cable gland
Amperage	63A
Poles	5p (3P+N+E)
Earth 'Clock' Position	6 h
Voltage	200/346 up to 240/415V
Frequency	50 and 60Hz
Protection	IP67
Color code	red / grey
Connection Design	screw terminal
Max. conductor	10.0 mm <sup>2</sup>

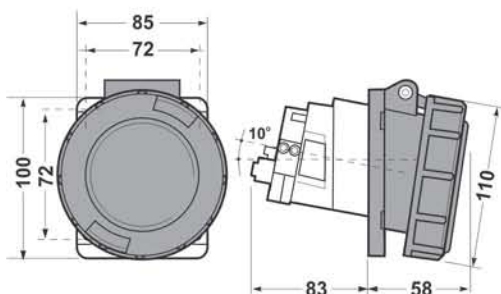
### Further Information

Additional technical information One piece housing for cable diameter from 11 up to max. 23.5 mm  
Multi-Grip cable gland with gasket and integrated strain relief

### Material

Material of Enclosure	Polyamide
Contact / Contact Carrier	contact carrier made of polyamide, the contacts are brass
Weight/pcs	0.359 kg
Packaging unit	10 pcs

## Panel mounting socket outlet angled - flange 100 x 100 fixing centers 75 x 75



### PRODUCT DESCRIPTION :

Order number	ASP603
Product Group	Industrial Panel mounting socket angled
Amperage	63A
Poles	5p (3P+N+E)
Earth 'Clock' Position	6 h
Voltage	200/346 up to 240/415V
Frequency	50 and 60Hz
Protection	IP67
Color code	red / grey
Connection Design	screw terminals
Max. conductor	16.0 mm <sup>2</sup>

### Further Information

Additional technical information The inclination is 20

### Material

Material of Enclosure	Polyamide
Contact / Contact Carrier	contact carrier made of polyamide, the contacts are brass
Weight/pcs	0.310 kg
Packaging unit	10 pcs

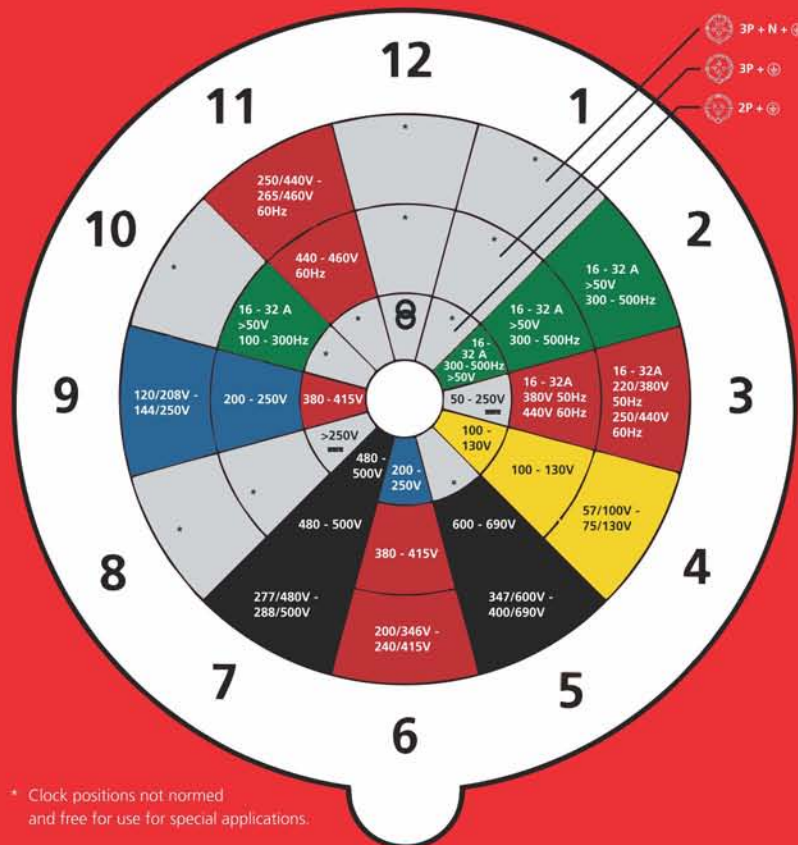


# ASECO

## Connection of the power

### Clock positions

Position of ground contact sleeve with respect to major keyway for various voltages and frequencies. The colour codes correspond to the nominal voltage.



# ASECO

Marketed by

**Ankit Electricals Pvt. Ltd.**

1809, First Floor, Bhagirath Palace  
Chandni Chowk, New Delhi - 110006

Tel. : 011-23873098 Mob. : 9810020578

E-mail : sales@ankitelectricals.com

www.ankitelectricals.com

Manufactured by :

**SATYA ORNAPACK**

Tronica City, Loni, U.P. 201102

